



Illumination

Inspector Models 172 & 174

Magnified Circular Fluorescent Illuminator

Low Frequency (60 Hz) - Lite Mite® Series

FEATURES:

- True, 2X or 4X magnification with minimum distortion and no astigmatism
- Uniform, glare-free and shadow-free illumination
- High light output and color rendition
- 7,000 hours of lamp life
- Hand-held or hands-free configuration
- Wide range of lamp options available



StockerYale's Inspector™ magnified circular fluorescent illuminator is an industrial and laboratory grade fluorescent lighting system that provides 360° of bright, shadow-free illumination for a variety of application needs including assembly and inspection.

The Inspector magnified circular fluorescent illuminator incorporates a lightweight polycarbonate housing that stays cool to the touch and does not radiate heat to the illuminated area. This magnified illuminator provides true, 2X or 4X magnification along with cool, uniform and glare-free illumination to the target area. Standard lamps are available in various white color temperatures, as well as wavelength specific colors including red, yellow, green, blue and black light blue (UV).

The Inspector is offered as a hand-held unit or with a flexible 18" (45.72cm) long gooseneck arm with a bolt base to mount to a bench or table top for easy, hands-free positioning. Custom configurations may also be available.

Technical Specifications

Input power:	14 Watts
Input voltage (AC):	120 VAC or 220 VAC, 50/60 Hz
Operating frequency:	60 Hz
Lamp output:	13 Watts
Color temperature:	5100K (deluxe daylight)**
Lamp life:	7,000 hours
Operating temperature:	32 to 104°F (0 to 40°C)
Humidity range:	0 to 80%; non-condensing

Lamp Type: Ø3" Circular Fluorescent (13 Watt)

973-320	White 3200K HC* (warm white)
973-420	White 4200K HC* (cool white)
973-510	White 5100K (deluxe daylight)**
973-550	White 5500K HC* (daylight)
973-365	Black Light Blue, UV (peak wavelength, 365nm)
973-450	Blue (peak wavelength, 450nm)
973-544	Green (peak wavelength, 544nm)
973-585	Yellow (peak wavelength, 585nm)
973-658	Red (peak wavelength, 658nm)

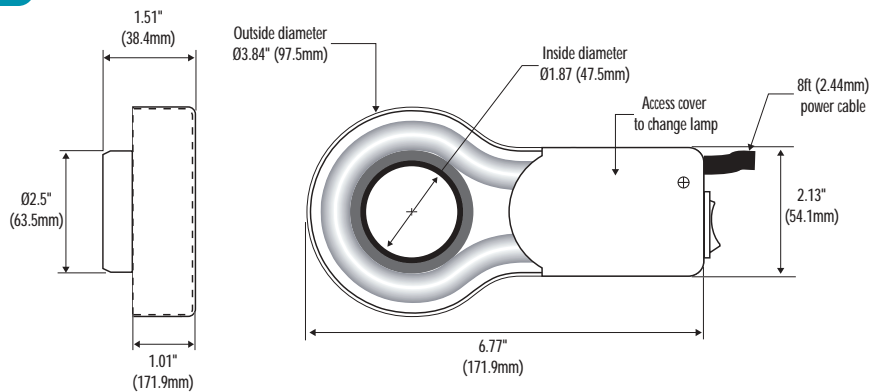
* HC indicates High Color Rendition

** Standard lamp provided

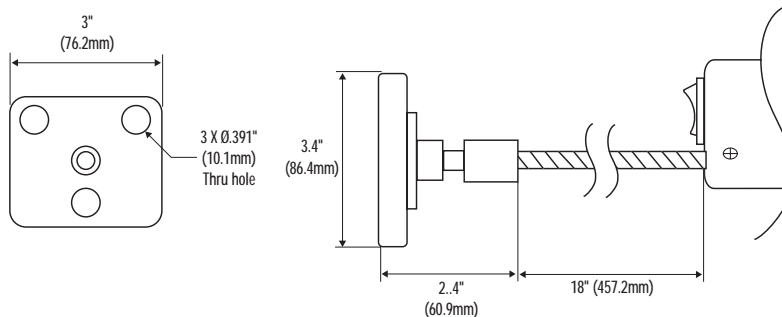
Lens Type:

2X	Single lens (8 diopter); FL = 4.92" (125mm)
4X	Dual lens (16 diopter); FL = 2.48" (63mm)

Dimensions



Gooseneck Arm (optional)



Lens Type	Working Distance	Output
2X	5" (127mm)	900fc
4X	2" (50.8mm)	1800fc

* **Note:** Mounting hardware is supplied with gooseneck arm option.
Clamp base (not shown) allows 2.5" (63.5mm) of clearance.



Corporate Headquarters
32 Hampshire Road
Salem, New Hampshire 03079 USA
800-843-8011
603-893-8778 Fax: 603-893-5604
sales@stockeryale.com
www.stockeryale.com

StockerYale and the StockerYale logo are trademarks of StockerYale, Inc.
All other brand and product names are trademarks or registered trademarks of their respective holders.

Copyright © September 2002 StockerYale, Inc. Printed in the USA
All rights reserved. TK-005-01