

ILLUMINATION

Slim-Line™ Fluorescent Light Panels

FEATURES:

- Cool, uniform, white backlighting
- High frequency electronic ballast provides efficient, flicker-free illumination
- Low profile package for use in tight spaces.
- Various sizes available, including a battery powered unit for portable use
- Ideal for use in a variety of applications ranging from film and paper examination to high-speed inspection
- Features desktop or wall mounting capabilities



StockerYale's Slim-Line™ Fluorescent Light Panels are versatile backlight panels that provide uniform, flicker-free illumination across the viewing area. They are an ideal solution in machine vision applications, as well as applications involving film and paper examination, frame grabbing and product sample inspection. Their low profile enables them to be placed in tight spaces on assembly lines or under conveyor belts during in-process inspection. The small package size of these units make them ideal for use in presentations and applications requiring portable backlighting.

The Slim-Line™ Fluorescent Light Panels utilize cold cathode fluorescent lamp technology. This technology allows the light panels to operate using low power sources, such as batteries. The battery-operated power source enables portable use on the CL5000P light panel and maximizes the system's efficacy (lumens per watt). The cold cathode, deluxe daylight fluorescent lamps provide 10,000 hours of uniform illumination across the viewing area. These lamps are driven by high frequency electronic ballasts to provide flicker-free illumination that is ideal for imaging applications.

These units are attractively designed to suit many applications, ranging from machine vision inspection to portable use in presentations. The low power, cold cathode fluorescent lamp technology makes them the most efficient light panels on the market.

TECHNICAL SPECIFICATIONS

MODEL NUMBER:	CL5000P	CL5000M	CL5000L
Input Power:	2.7 Watts (AC power)	10 Watts	12 Watts
Input Voltage (AC Adapter):	120 VAC	100-240 VAC	100-240 VAC
Output Voltage (AC Adapter):	6 VDC*	12 VDC	12 VDC
Operating Frequency:	120 kHz	90 kHz	90 kHz
Lamp Type:	(1) 2.6mm cold cathode tube	(2) 2.6mm cold cathode tubes	(2) 2.6mm cold cathode tubes
Color Temperature:	5000K (+270K, -250K)	5000K (+270K, -250K)	5000K (+270K, -250K)
Lamp Life:	10,000 hours	10,000 hours	10,000 hours
Operating Temperature:	41 to 95°F (5 to 35°C)	41 to 95°F (5 to 35°C)	41 to 95°F (5 to 35°C)
Weight:	0.6 lbs. (0.27 kgs.)	2.7 lbs. (1.23 kgs.)	4.2 lbs. (1.91 kgs.)

* CL5000P can also be powered using (4) AAA batteries.

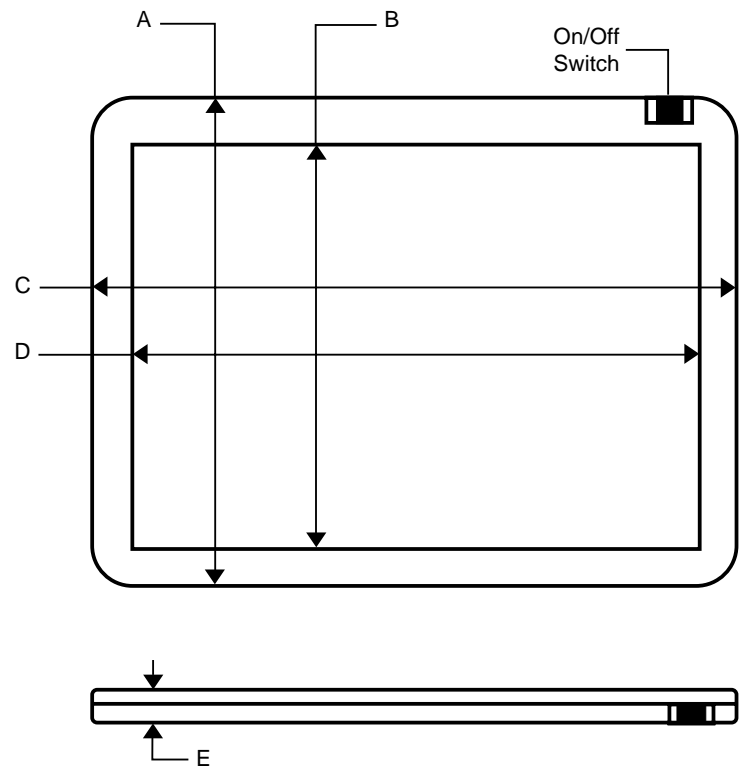
DIMENSIONS

	CL5000P	CL5000M	CL5000L
A	4.5" (114.3mm)	11" (279.4mm)	13.5" (342.9mm)
B	4" (101.6mm)	9" (228.6mm)	11" (279.4mm)
C	7.63" (193.7mm)	13.75" (349.25mm)	15.75" (400mm)
D	5" (127mm)	11.75" (290.45mm)	13.75" (349.25mm)
E	0.50" (12.7mm)	0.60" (15.2mm)	0.75" (19mm)

PART NUMBER

Output

CL5000P	1400 cd/m ² (± 300)
CL5000M	1400 cd/m ² (± 300)
CL5000L	1400 cd/m ² (± 300)



Corporate Headquarters

32 Hampshire Road
Salem, New Hampshire 03079 USA
800-843-8011
603-893-8778 Fax: 603-893-5604
sales@stockeryale.com
www.stockeryale.com

StockerYale and the StockerYale logo are trademarks of StockerYale, Inc. All other brand and product names are trademarks or registered trademarks of their respective holders.

Copyright © March 2002 StockerYale, Inc. Printed in the USA
All rights reserved. FL-011-03