



Illumination

# Hand Lite™ Model 42

## Fluorescent Linear Task Light

Low Frequency (60 Hz)

### FEATURES:

- Sturdy, integrated handle for portable use
- Bright, general-purpose illumination
- Rugged lamp assembly
- Wide range of lamp options available



StockerYale's Hand Lite™ is a handy, yet rugged, fluorescent linear task light that is ideal for bright, general-purpose illumination in a variety of on-site applications including assembly and inspection.

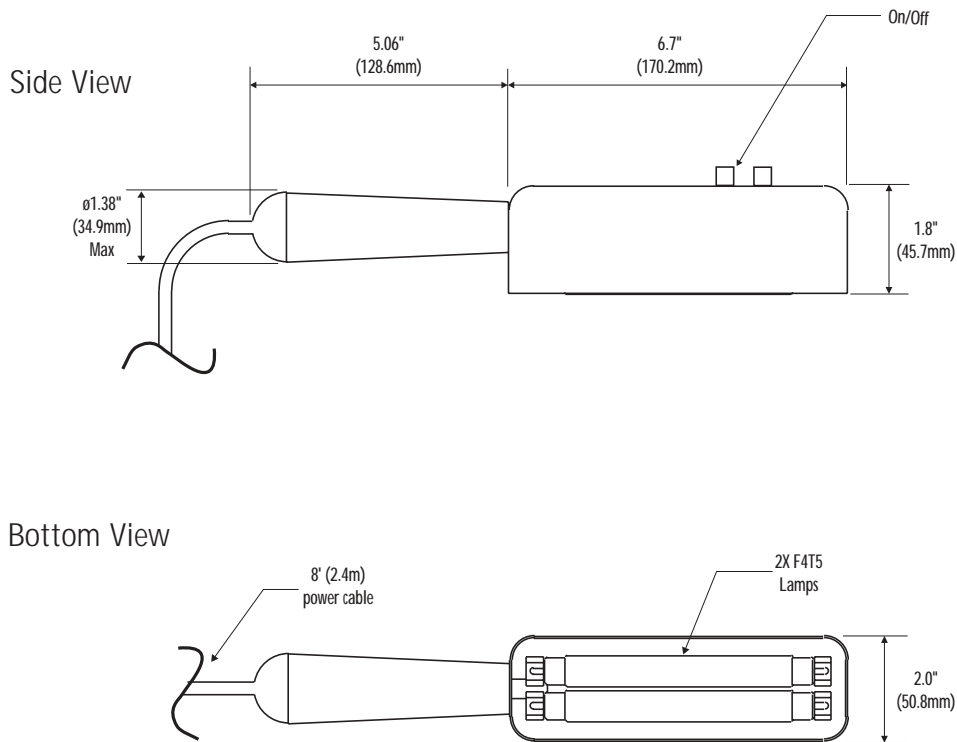
The Hand Lite incorporates a rugged linear lamp assembly with twin 4W lamps. The lamp housing is supplied with a sturdy handle that allows the user to quickly and conveniently direct the illumination into an application where it is needed most. Standard lamps for this assembly are available in various white color temperatures, as well as wavelength specific colors to further customize this unit to meet specific application requirements. Colored lamps include red, yellow, green, blue and black light blue (UV).

The Hand Lite may be supplied with an optional mounting hook on the handle to allow for easy storage while the unit is not in use. An 8' (2.44m) long power cable offers further convenience by allowing remote positioning of the lamp assembly. Standard accessories include a protective chip shield to protect the lamps from scratches and dust. Custom configurations may also be available.

## Technical Specifications

Input power:	8 Watts	<b>Lamp Type:</b>	<b>Description:</b>
Input voltage (AC):	120 VAC or 220 VAC (50/60 Hz)	<b>13231</b>	White 4200K HC (cool white)*
Operating frequency:	60 Hz (120 VAC) or 50 Hz (220 VAC)	<b>13271</b>	White 5100K (deluxe daylight)
Lamp type:	(2) F4T5	<b>13254</b>	Black Light Blue, UV (peak wavelength, 365nm)
Lamp output:	8 Watts	<b>13214</b>	Blue (peak wavelength, 450nm)
Color temperature:	4200K (cool white)*	<b>13224</b>	Green (peak wavelength, 544nm)
Lamp life:	7,000 hours	<b>13304</b>	Yellow (peak wavelength, 585nm)
Operating temperature:	32 to 104°F (0 to 40°C)	<b>13294</b>	Red (peak wavelength, 658nm)
Humidity range:	0 to 80%; non-condensing		* Standard lamp provided

## Dimensions



**Corporate Headquarters**  
32 Hampshire Road  
Salem, New Hampshire 03079 USA  
**800-843-8011**  
603-893-8778 Fax: 603-893-5604  
sales@stockeryale.com  
www.stockeryale.com

StockerYale and the StockerYale logo are trademarks of StockerYale, Inc. All other brand and product names are trademarks or registered trademarks of their respective holders.

Copyright © September 2002 StockerYale, Inc. Printed in the USA  
All rights reserved. TK-009-01