



# Model 16237

## Sealed Fluorescent Task Light

### FEATURES:

- Industrial, NEMA 12 enclosure
- Variety of ballast configurations available
- High output illumination
- 7,000 hours of lamp life
- Wide variety of lamp options available



StockerYale's Sealed Linear Task Light is an industrial grade fluorescent lighting system designed specifically to handle the demands of many splash down applications including machine tools and other wash down applications where oil, grease and moisture are a concern.

The sealed linear task light incorporates a heavy-duty steel housing with a 1/4" thick Plexiglas shield that is sealed using a neoprene gasket. This unit is supplied with two high output 4W linear fluorescent lamps. Standard lamps are available in various white color temperatures, as well as wavelength specific colors including red, yellow, green, blue and black light blue (UV).

The sealed linear task light is supplied with a standard bulkhead fitting to allow for a variety of easy, flexible mounting options. A standard 60Hz transformer is supplied with this unit. A high frequency (25 kHz), electronic ballast is one of a variety of standard ballast configurations that are available.

## Technical Specifications

Input power:	8 Watts
Input voltage (AC):	120 VAC or 220 VAC (50/60 Hz)
Operating frequency:	60 Hz (optional 25 kHz available)
Lamp type:	(2) F4T5
Lamp output:	8 Watts
Color temperature:	4200K (cool white)*
Lamp life:	7,000 hours
Operating temperature:	32 to 104°F (0 to 40°C)
Humidity:	0 to 80%; non-condensing
Enclosure rating:	NEMA 12

### Lamp Type:

13231  
13271  
13254  
13214  
13224  
13304  
13294

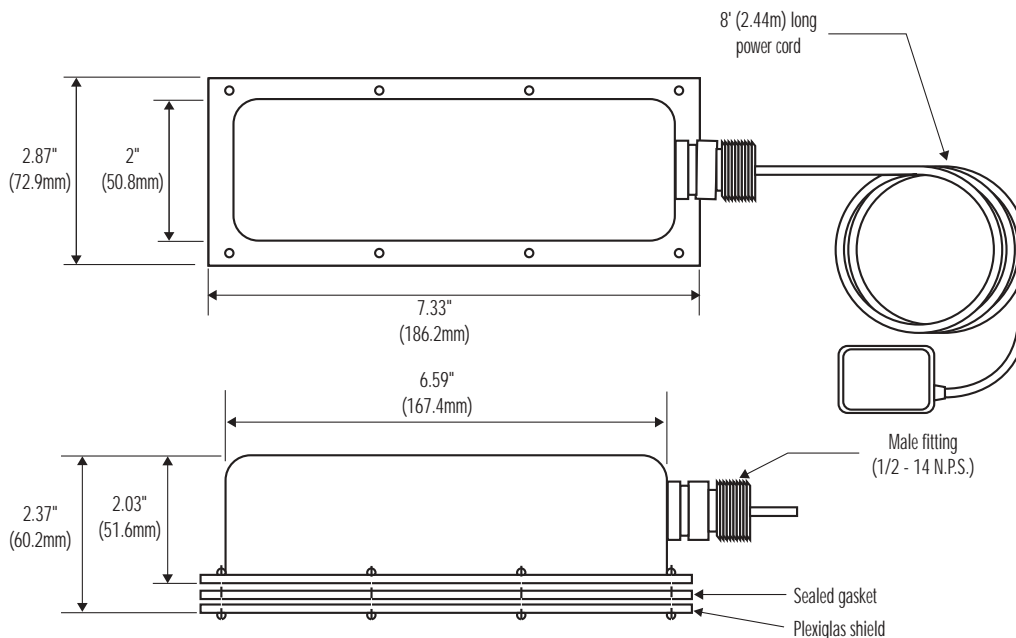
### Description:

White 4200K (cool white)\*  
White 5100K (deluxe daylight)  
Black Light Blue, UV (365nm, peak)  
Blue (450nm, peak)  
Green (544nm, peak)  
Yellow (585nm, peak)  
Red (658nm, peak)

\* Standard lamp provided

## Dimensions

*Note: Consult factory for additional ballast options.*



**Corporate Headquarters**  
32 Hampshire Road  
Salem, New Hampshire 03079 USA  
**800-843-8011**  
603-893-8778 Fax: 603-893-5604  
sales@stockeryale.com  
www.stockeryale.com

StockerYale and the StockerYale logo are trademarks of StockerYale, Inc. All other brand and product names are trademarks or registered trademarks of their respective holders.

Copyright © August 2002 StockerYale, Inc. Printed in the USA  
All rights reserved. TK-002-01